



Model 2003 Stencil & Pallet Cleaner



- Clean solder paste, adhesives and flux residue in one machine
- Two ultrasonic wash tanks eliminate cross contamination issues
- Safely clean solder paste at ambient temperature and other applications with heat
- Low profile for easy loading and unloading
- Tank design eliminates need for large heavy stencil baskets and loading platforms
- Side-mounted “sweep frequency” ultrasonic transducers with 10 year limited warranty
- Attractive cabinet houses equipment and custom features
- Guaranteed to clean any solder paste from any fine-pitch stencil
- Stainless steel construction
- Compatible with all aqueous ultrasonic chemistries

A Complete Stencil Cleaning Process - From One Source!

The Model 2003 Stencil & Pallet Cleaner is designed for multiple cleaning applications involving different contaminants and offers an affordable alternative to the user requiring high quality, EPA compliance and guaranteed performance. The standard configuration consists of one ambient ultrasonic wash tank, one heated ultrasonic wash tank and one spray rinse tank allowing the user to safely clean solder paste stencils at ambient temperature while cleaning adhesives and flux residue in the heated wash tank. Separate wash tanks also eliminate the potential of cross contamination between the various cleaning applications.

The Model 2003 is ergonomically designed for easy loading and unloading of large 29-inch (750 mm) stencils without the need of unwieldy baskets or step platforms. The liquid depth of the wash tank is 25-inches to facilitate cleaning only the contaminated portion of large stencils and allowing for a lower overall profile. The remaining 4-inches of the stencil does not contact the wash solution and serves as a convenient “handle” eliminating the need for a stencil basket. The lower profile also eliminates the need of a loading platform that is often required by other ultrasonic stencil cleaners.*

The Smart Sonic Stencil Cleaning Process has been evaluated for specific parameters of environmental safety, user safety, and cleaning efficiency. Smart Sonic Stencil Cleaners and 440-R SMT Detergent are each winners of the SMT Vision Award. No other cleaning process has been evaluated and recognized by the industry experts or have reached such high standards.

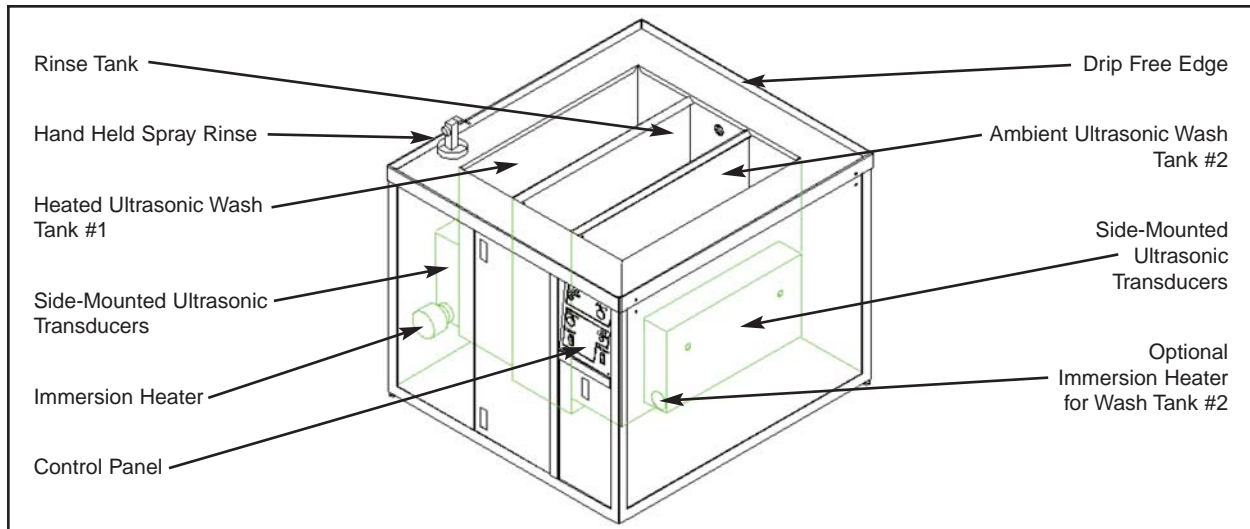


Best Cleaning Product
Chemistry Category



Best Cleaning Product
Equipment Category

Clean Solder Paste, SMD Adhesives and Post Solder Flux Residue In One Machine!



For additional photos and information, visit the Smart Sonic Website: www.smartsonic.com

Specifications:

Overall Dimensions
Wash Tank Dimensions
Wash Tank Capacity
Maximum Stencil Size
Ultrasonics

Model 2003

45" x 41" x 35"H
9" x 31" x 27" H each
32 gallons (121 liters) each
29" x 29" (750mm)
40 kHz "Sweep Frequency" **
Modular side-mounted for easy maintenance

Utilities Required
Electrical

230 V, 1 Ph, 27 Amps (One heated wash tank)
230 V, 3 Ph, 19 Amps (One heated wash tank)
230 V, 3 Ph, 29 Amps (Two heated wash tanks)
Other voltages available. Consult factory.
40 PSI (Soft or DI Water)

Water

Applications:

Wash and Rinse OA Solder Paste
Wash and Rinse Wet Solder Paste
Wash and Rinse Dry Solder Paste
Wet SMD Adhesives
Post Solder Flux Residue Buildup
Hybrid Inks

Average Cycle Times

1/2 - 1 minute
1-2 minutes
2-4 minutes
2-4 minutes (100°F Wash) (38° C Wash)
2-5 minutes (110°F Wash) (43° C Wash)
Consult Factory

440-R SMT Detergent

0-2%
10%
10%
10%

Specifications are subject to change without notice.

* If the Model 2003 totally immersed a 29-inch stencil, the wash depth would need to be at least 30 inches high and the stencil would need to be placed in a separate basket with handles above the stencil in order to keep the user's hands from contacting the wash solution. The overall height of competitive ultrasonic stencil cleaners range from 43-46 inches compared to only 35-inches of the Model 2003. Because the ergonomic design of the Model 2003 allows the loading and unloading of a 29-inch stencil without the use of a basket, the maximum lifting height for the user is only 64-inches (35" height + 29" stencil = 64" lifting height). The lifting height of other ultrasonic stencil cleaners range from 78-81 inches (46" height + 29" stencil + 6" basket handles = 81" lifting height). Plus the weight of the basket! This height would require a loading platform for the user. (If a platform is required, many areas will require a handicap ramp.) The floor space required for loading and unloading could exceed the floor space required for the equipment and the weight of the basket will add to the required lifting load for the user which could require an automated hoist.

** Smart Sonic Stencil Cleaners are powered to meet strict demands of the SMT industry — powerful enough to remove solder paste, yet delicate enough to safely clean populated misprinted PCBs. High-powered ultrasonics should be avoided.

SMT SONIC®

SMART SONIC CORPORATION

6724 Eton Avenue • Canoga Park, California 91303 • USA

Tel: 1(818) 610-7900 • Fax: 1(818) 610-7909

E-mail: smt@smartsonic.com • Web: <http://www.smartsonic.com>