



MODEL 1500 STENCIL / PALLET CLEANER



The Smart Sonic Model 1500 Stencil and Pallet Cleaner offers a very affordable alternative to the surface mount assembler requiring high quality, EPA compliance, flexibility and guaranteed performance.

The Model 1500 features the following:

- Stainless steel construction
- Ability to clean stencils up to 29 inches (750 mm) in less than 2 minutes
- Low Profile to allow easy loading and unloading
- Side mounted “sweep frequency” ultrasonic transducers with 10 year limited warranty

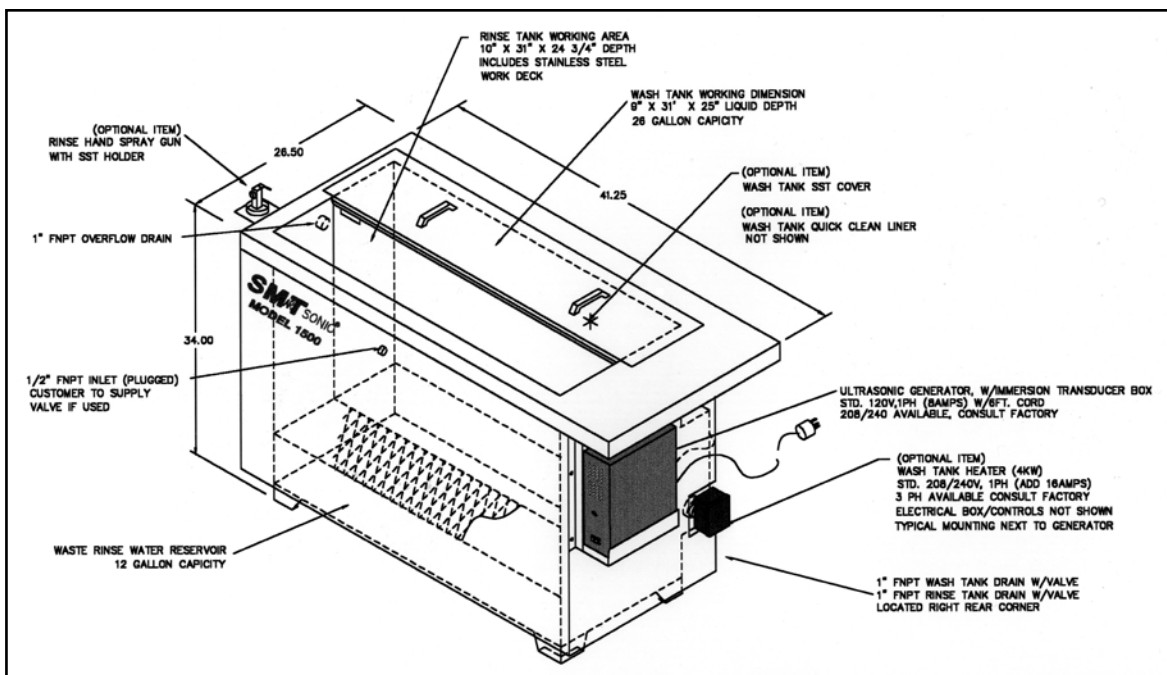
Most importantly, the Model 1500 has the Smart Sonic performance guarantee that it will clean any type of solder paste from any fine-pitch stencil... *or your money back!*

The economical price of the Model 1500 makes it ideal if more than one cleaner is required. Dollar for dollar, the Model 1500 is the best value in ultrasonic stencil and pallet cleaning.

The Smart Sonic Stencil Cleaning Process has been evaluated for specific parameters of environmental safety, user safety and cleaning efficiency by the U.S. EPA's Environmental Technology Verification (ETV) Program. Smart Sonic Stencil Cleaners and 440-R SMT Detergent are each winners of the SMT Vision Award. No other cleaning process has been evaluated and recognized by industry experts or have reached such high standards. Users can rest assured that their Model 1500 Stencil Cleaner incorporates the technology that has set these high standards.

The Model 1500 is compatible with all aqueous ultrasonic stencil cleaning chemistries, such as 440-R SMT Detergent. When using 440-R SMT Detergent, the wastewater may be safely evaporated in standard evaporating equipment or filtered and treated like other aqueous stencil cleaner wastewater providing the highest flexibility in waste management.

MODEL 1500 STENCIL / PALLET CLEANER



Specifications:

Overall Dimensions
Wash Tank Dimensions
Wash Tank Capacity
Maximum fame size

Model 1500

26.5" x 41.25" x 34.0"H
9" x 31" x 25"H
26 gallons (98 liters)
29" x 29" with one cycle*
29" x 50" with two cycles

Utilities required

Ambient wash tank
Heated wash tank
Water (with optional Hand Sprayer)

120 V, 1 Ph, 6 Amps
220-240 Volt, 1 Phase, 20 Amps
40 PSI (Soft or DI Water)

Average Cycle Time

Wash & Rinse Wet Solder Paste
Wash & Rinse Dry Solder Paste
Wet SMD adhesives
Flux residue buildup (rosin)

1 – 2 minutes
2 – 3 minutes
2 – 4 minutes
2 – 5 minutes

440-R SMT Detergent

Recommended Concentrations

RA solder paste
RMA solder paste
No Clean
Synthetic flux (AP-4000, UP-78)
Water washable solder paste
SMD Adhesives
Post solder flux buildup (rosin)
Post solder flux buildup (OA)
Hybrid Inks

10 – 12%
10%
6 – 12%
6 – 12% at 90°F (32°C)
0 – 2%
10% at 90°-110°F (32°-43°C)
10% at 90°-110°F (32°-43°C)
1 – 2% (may require heat)
Consult factory



Shown here using 29" stencils

Specifications are subject to change without notice.

* If the Model 1500 totally immersed a 29-inch stencil, the wash depth would need to be at least 30 inches high and the stencil would need to be placed in a separate basket with handles above the stencil in order to keep the user's hands from contacting the wash solution. The overall height of competitive ultrasonic stencil cleaners range from 43-46 inches compared to only 34-inches of the Model 1500. Because the ergonomic design of the Model 1500 allows the loading and unloading of a 29-inch stencil without the use of a basket, the maximum lifting height for the user is only 63-inches (34" height + 29" stencil = 63" lifting height). The lifting height of other ultrasonic stencil cleaners range from 78-81 inches (46" height + 29" stencil + 6" basket handles = 81" lifting height). Plus the weight of the basket! This height would require a loading platform for the user. (If a platform is required, many areas will require a handicap ramp.) The floor space required for loading and unloading could exceed the floor space required for the equipment and the weight of the basket will add to the required lifting load for the user which could require an automated hoist.

SMART SONIC CORPORATION

6724 Eton Avenue • Canoga Park, California 91303 • USA

Tel: 1(818) 610-7900 • Fax: 1(818) 610-7900

E-mail: smt@smartsonic.com • Web: <http://www.smartsonic.com>